

# DESIGN SPECIALTIES

## INSTALLATION INSTRUCTIONS FOR DESIGN SPECIALTIES CAROLINA MODEL FIREPLACE DOORS FOR MASONRY FIREPLACES

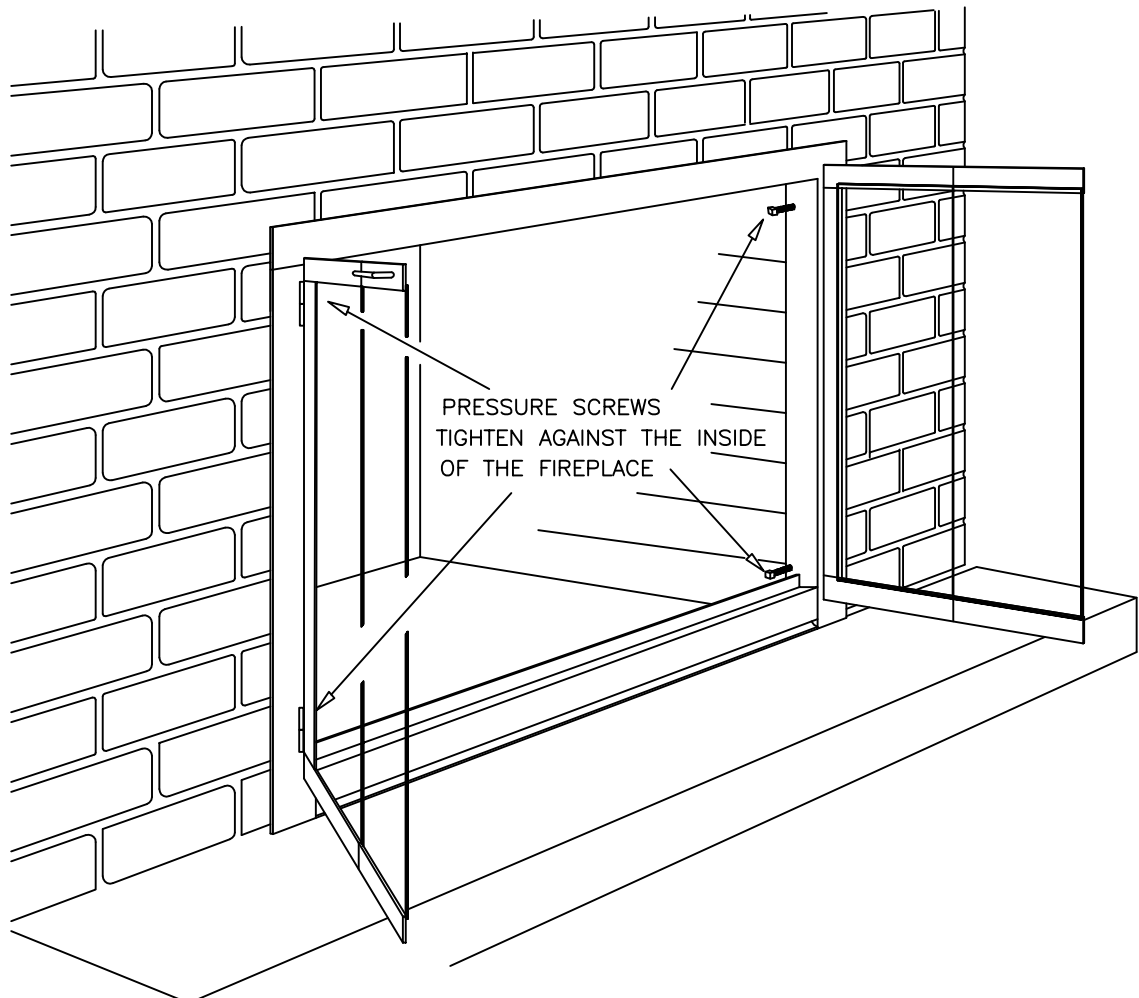
CAROLINA MODEL FIREPLACE DOORS UTILIZE A PRESSURE FIT TYPE INSTALLATION. IF THE OPENING DOESN'T ALLOW FOR PRESSURE SCREWS OR IS INTENDED AS AN INSIDE FIT, A STANDARD HARDWARE KIT IS SUPPLIED AS AN ALTERNATIVE METHOD FOR INSTALLING THE FIREPLACE DOOR. THE INSTALLER SHOULD DETERMINE WHICH METHOD WILL WORK THE BEST ON THIS PARTICULAR OPENING.

TOOLS NEEDED:  
PLIERS

1/4" X 20 X 1 1/2" PRESSURE SCREWS  
4 PCS



1. CAREFULLY REMOVE THE FIREPLACE DOOR FROM THE PACKAGING.
2. IN THE HARDWARE KIT, FIND THE SQUARE HEAD PRESSURE SCREWS.
3. STAND DOOR IN OPENING AND THREAD SCREWS INTO THREADED HOLES AS SHOWN.
4. SCREW SCREWS IN ABOUT 5 TURNS EACH UNTIL SCREW MAKES CONTACT WITH OPENING.
5. GENTLY TIGHTEN SCREWS EQUALLY AGAINST THE INSIDE OF THE OPENING. CLOSE DOORS AND CHECK FOR ADJUSTMENT. REFER TO ADJUSTMENT PAGE.



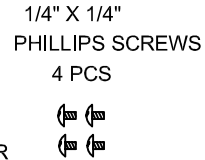
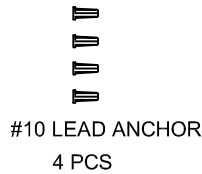
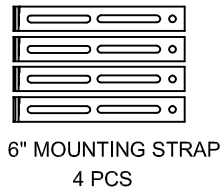


## ALTERNATIVE INSTALLATION INSTRUCTIONS FOR DESIGN SPECIALTIES CAROLINA MODEL FIREPLACE DOORS FOR MASONRY FIREPLACES

### ALTERNATIVE MOUNTING HARDWARE KIT

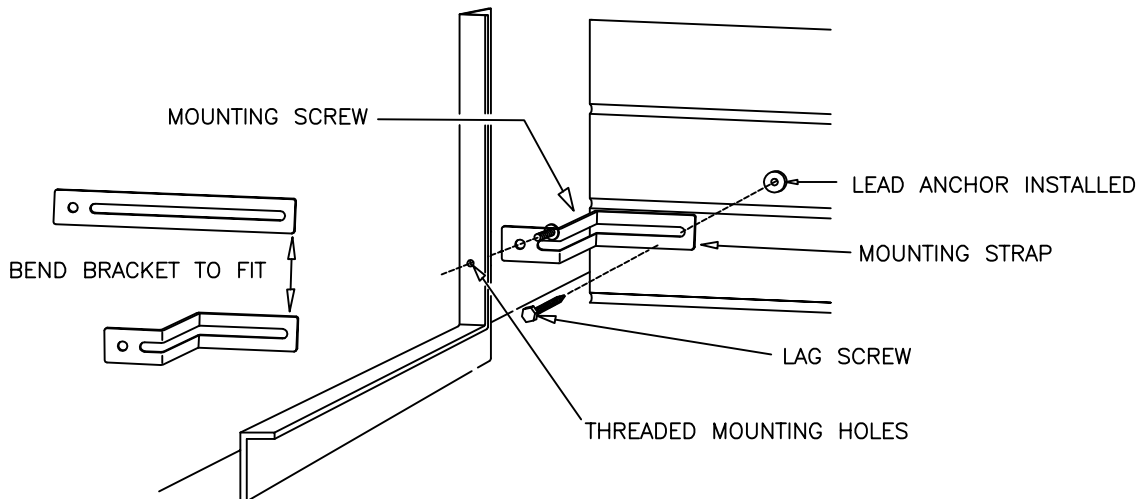
**TOOLS NEEDED:**

5/16" MASONRY DRILL  
FELT TIPPED MARKER  
PHILLIPS SCREWDRIVER  
3/8" WRENCH



NOTE: OPTIONAL LINTEL CLAMPS MAY EASE TOP MOUNTING OF THE FIREPLACE DOOR.

1. CAREFULLY REMOVE THE FIREPLACE DOOR FROM THE PACKAGING.
2. LOCATE THE MOUNTING HOLES ON THE BACK FRAME.
3. ATTACH THE MOUNTING STRAPS TO THE MOUNTING HOLES ON THE BACK FRAME WITH THE SCREWS PROVIDED.
4. PLACE DOOR ONTO OPENING.
5. BEND THE BRACKETS TO CONFORM TO THE DISTANCE FROM THE DOOR TO THE OPENING
6. USE THE FELT TIPPED MARKER, MARK THE INSIDE OF THE FIREPLACE THROUGH THE SLOTS IN THE MOUNTING BRACKETS.
7. REMOVE THE FIREPLACE DOOR FROM THE OPENING.
8. USING THE 5/16" MASONRY DRILL , DRILL HOLES WHERE THE MARKS ARE INSIDE THE FIREPLACE 1 3/4" DEEP.
9. INSERT LEAD ANCHORS INTO HOLES.
10. PLACE DOOR BACK ONTO OPENING AND USING THE LAG SCREWS PROVIDED, INSERT SCREWS THROUGH BRACKETS AND INTO LEAD ANCHORS. TIGHTEN SCREWS WITH A 3/8" WRENCH.

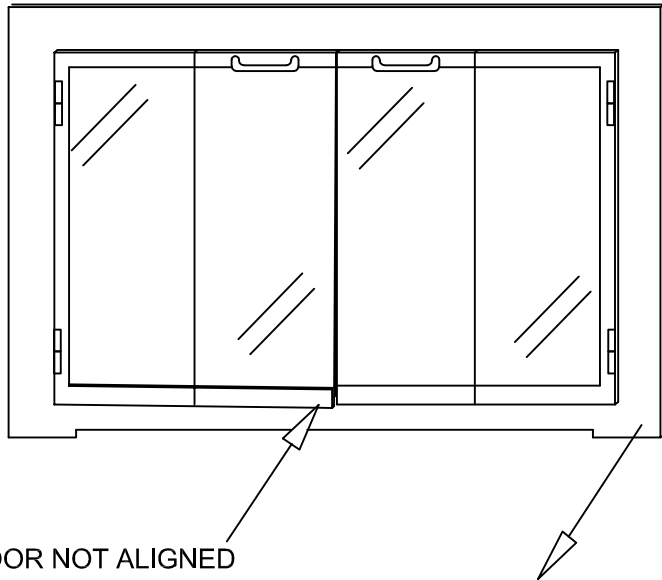




## ADJUSTMENT PROCEDURES FOR DESIGN SPECIALTIES CAROLINA MODEL FIREPLACE DOORS FOR MASONRY FIREPLACES

OUR FIREPLACE DOORS ARE FULLY ASSEMBLED AND ADJUSTED PRIOR TO LEAVING THE FACTORY. HOWEVER, THE GLASS DOORS MAY HAVE SHIFTED DURING SHIPMENT, REQUIRING AN ADJUSTMENT TO GET THE GLASS DOORS TO HANG PROPERLY.

IF ONE DOOR STICKS OUT FROM THE OTHER ONE, YOU WILL NEED TO MOVE ONE OF THE CORNERS OF THE FRAME OUT SLIGHTLY. ON THE SIDE THAT THE GLASS DOORS ARE IN FROM THE OTHER DOOR, LOOSEN THE NEAREST PRESSURE SCREW OR MOUNTING STRAP AND PULL THE DOOR FORWARD UNTIL THE DOORS ARE IN ALIGNMENT. RETIGHTEN MOUNTING STRAP



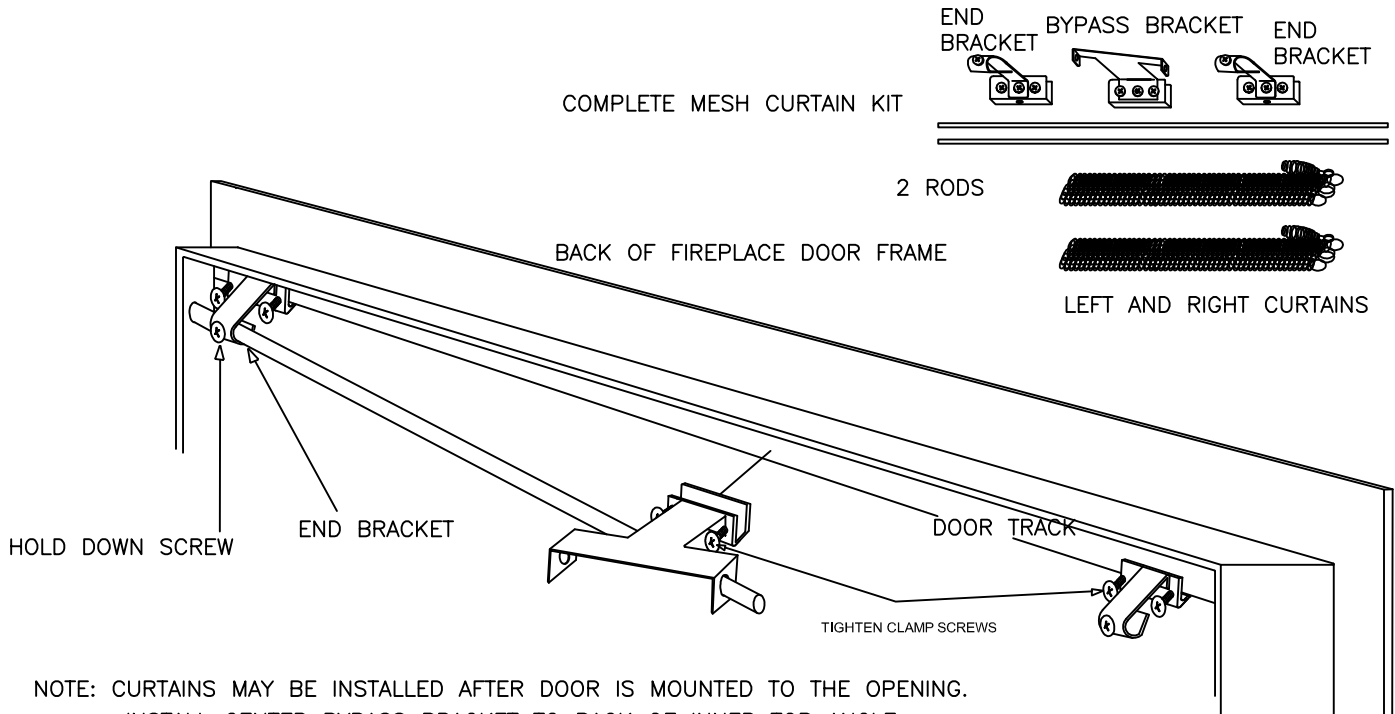
EXAMPLE:

BOTTOM LEFT GLASS DOOR NOT ALIGNED WITH RIGHT SIDE GLASS.

LOOSEN RIGHT SIDE DOOR ATTACHMENT AND PULL FRAME SLIGHTLY AWAY FROM OPENING, RETIGHTEN.



## DESIGN SPECIALTIES MESH CURTAIN INSTALLATION



NOTE: CURTAINS MAY BE INSTALLED AFTER DOOR IS MOUNTED TO THE OPENING.

1. INSTALL CENTER BYPASS BRACKET TO BACK OF INNER TOP ANGLE.
2. SLIDE LEFT ROD INTO THE RIGHT SIDE OF THE BYPASS BRACKET
3. STARTING WITH THE HANDLE ON THE MESH CURTAIN, THREAD THE RINGS ONTO THE ROD, LEAVING THE LAST TWO OFF.
4. SLIP THE END BRACKET ONTO ROD AND POSITION THE END BRACKET TO THE INNER TOP ANGLE. TIGHTEN THE SCREWS.
5. SLIP THE REMAINING RINGS ONTO THE ROD ON THE OUTSIDE OF THE END BRACKET.
6. SLIDE THE ROD OUTWARD UNTIL IT CONTACTS THE INSIDE OF THE FIREPLACE OPENING.
7. TIGHTEN THE HOLD DOWN SCREW.
8. REPEAT THE PROCEDURE FOR THE OTHER SIDE.

