

DESIGN SPECIALTIES

EXPRESSION SERIES LEGEND DOORS FOR FACTORY BUILT FIREPLACES INSTALLATION INSTRUCTIONS

EXPRESSIONS SERIES FIREPLACE DOORS FOR FACTORY BUILT FIREPLACES UTILIZE A PRESSURE SCREW TYPE INSTALLATION. 4 SCREWS ARE PROVIDED ON THE INSIDE OF THE FIREPLACE DOOR. THE SCREWS AT THE BOTTOM ARE PRE-SET TO REST ON THE INSIDE EDGE OF THE FIREPLACE.

ILLUSTRATIONS ARE VIEWED FROM BEHIND DOOR

TOOLS NEEDED: PHILLIPS SCREWDRIVER
PLIERS

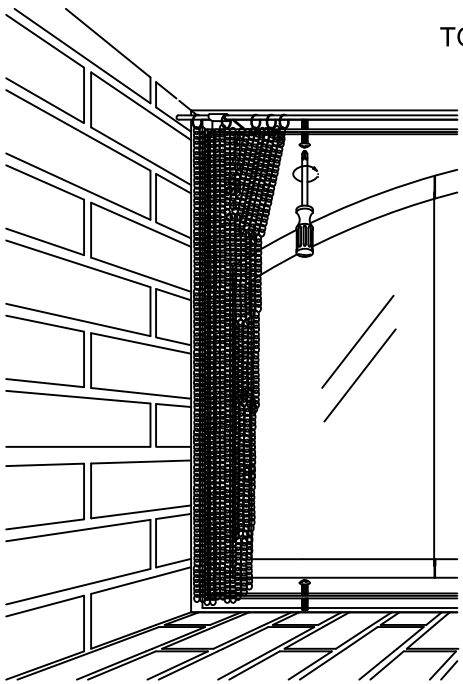


FIG. 1

1. CAREFULLY REMOVE FIREPLACE DOOR FROM PACKAGING. REMOVE TAPE FROM THE GLASS.

IF DOOR IS EQUIPPED WITH OPTIONAL GATE MESH DOORS, IT MAY BE EASIER TO INSTALL WITH GATE MESH DOORS REMOVED. AFTER REMOVING PACKAGING MATERIAL, OPEN GATE MESH DOORS AND LIFT GATE MESH UP TO DISENGAGE THE BOTTOM PIVOT FROM HOLDER. PULL GATE MESH DOOR DOWN AND REMOVE FROM DOOR. SEE FIG. #8

2. PLACE FIREPLACE DOOR INTO THE OPENING.

3. WHILE HOLDING DOOR ONTO THE OPENING, TIGHTEN ONE OF THE TOP ATTACHMENT SCREWS TIGHTLY AGAINST THE METAL OF THE FIREPLACE. TIGHTEN THE OTHER TOP SCREW. (SEE FIGURE 1)

4. REINSTALL GATE MESH DOORS IF SO EQUIPPED. (SEE FIG 8 & 9)

ALTERNATIVE MOUNTING METHOD :

IF THE STANDARD MOUNTING SYSTEM DOESN'T WORK, THE DOOR CAN BE ATTACHED TO EITHER THE REFRACTORY BRICK OR THE SHEETMETAL OF THE FIREPLACE. THE MOUNTING STRAPS MAY NEED TO BE MODIFIED TO CONFORM TO THE INTERIOR OF THE FIREPLACE.

(SEE FIGURE 2)

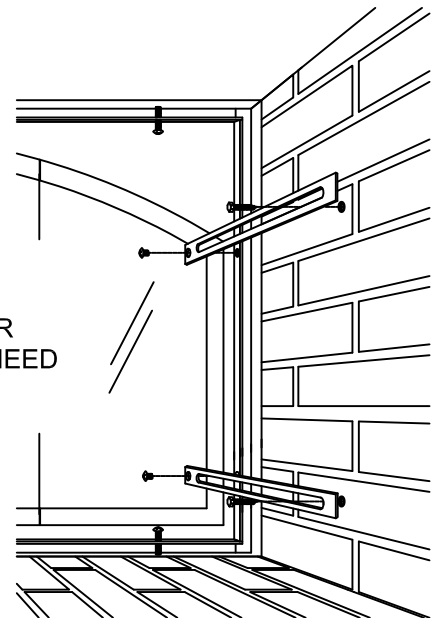


FIG. 2

EXPRESSION SERIES LEGEND DOORS FOR FACTORY BUILT FIREPLACES

DOOR ADJUSTMENTS

OUR FIREPLACE DOORS ARE FULLY ASSEMBLED AND ADJUSTED PRIOR TO LEAVING THE FACTORY. HOWEVER, THE GLASS DOORS MAY HAVE SHIFTED DURING SHIPMENT, REQUIRING AN ADJUSTMENT TO GET THE GLASS DOORS TO HANG PROPERLY.

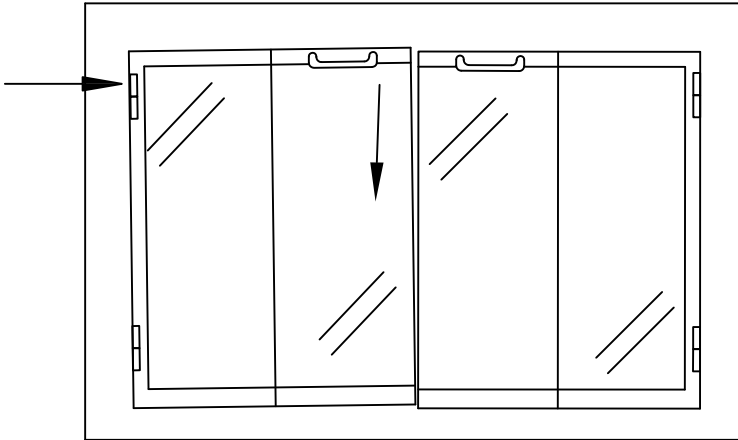


FIG #3

5. IF ONE GLASS DOOR IS HIGHER THAN THE OTHER AT THE TOP, YOU MAY HAVE TO ADJUST ONE OF THE DOOR HINGES. BEFORE MAKING ANY ADJUSTMENTS, OPEN THE GLASS DOORS AND MAKE SURE THE SCREWS THAT HOLD THE TOP HINGE TO THE GLASS DOOR ARE TIGHT. USE A PHILLIPS SCREWDRIVER TO TIGHTEN. SEE FIG #4

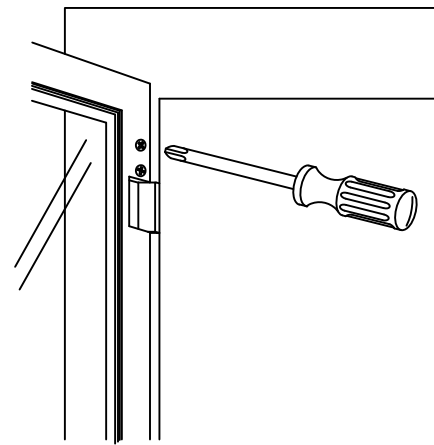


FIG #4

6. THE BOTTOM HINGES ARE HELD ON TO THE FRAME WITH TWO ALLEN HEAD SCREWS. DETERMINE WHICH HINGE IS MISALIGNED, THERE SHOULD BE APPROXIMATELY A 1/16" GAP BETWEEN THE LEFT AND RIGHT DOOR PANELS. INSERT A 5/32" ALLEN WRENCH INTO THE HINGE SCREW HEAD. LOOSEN BOTH SCREWS. LEAVE THE ALLEN WRENCH ENGAGED IN THE SCREW AND CLOSE DOOR AND MOVE DOOR TO ALIGN. CAREFULLY REOPEN DOOR AND TIGHTEN ONE OF THE SCREWS. THIS PROCEDURE MAY NEED TO BE REPEATED UNTIL GLASS DOOR HANGS CORRECTLY.

SEE FIG #5

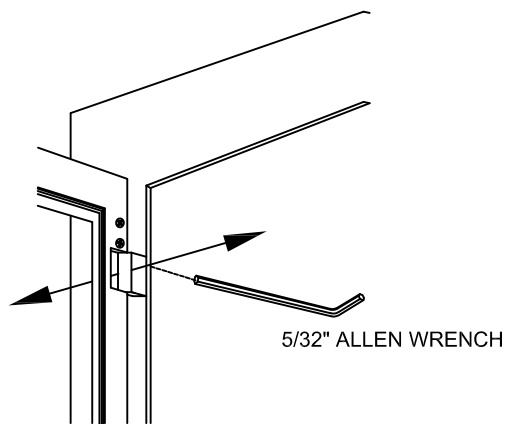


FIG #5

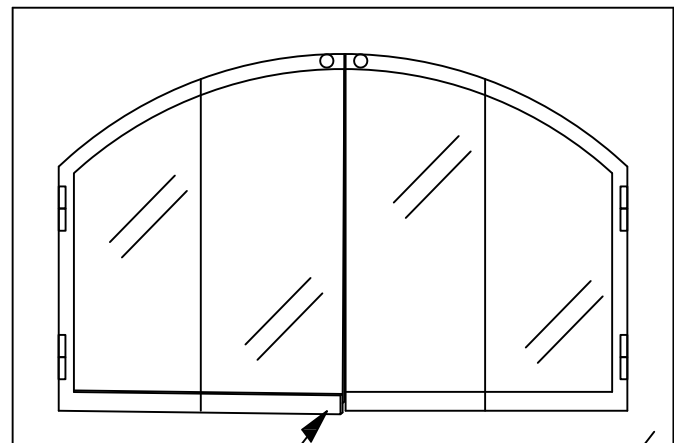


FIG #6

7. IF ONE DOOR STICKS OUT FROM THE OTHER ONE, YOU WILL NEED TO MOVE ONE OF THE CORNERS OF THE FRAME OUT SLIGHTLY. ON THE SIDE THAT THE GLASS DOORS ARE IN FROM THE OTHER DOOR, LOOSEN THE NEAREST MOUNTING BOLT AND PULL THE DOOR FORWARD UNTIL THE DOORS ARE IN ALIGNMENT. RETIGHTEN MOUNTING BOLT. SEE FIG #6

5331

DESIGN SPECIALTIES

EXPRESSION SERIES LEGEND DOORS
GATE MESH DOOR / CURTAIN INSTALLATION

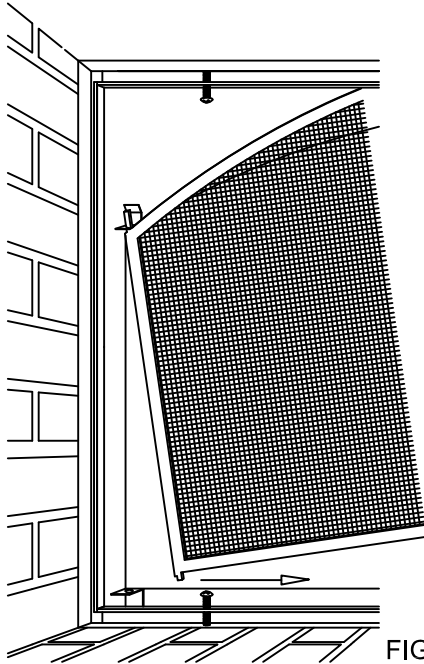


FIG. #8

8. INSERT TOP PIVOT INTO HOLDER
ALIGN BOTTOM PIVOT AND
INSERT INTO BOTTOM HOLDER
USING A PLIERS,
BEND TOP OF TOP HOLDER
OVER TOP PIVOT. THIS KEEPS
GATE MESH DOORS FROM
ACCIDENTLY BECOMING
UNHINGED.

SEE FIG. #8 & 9.

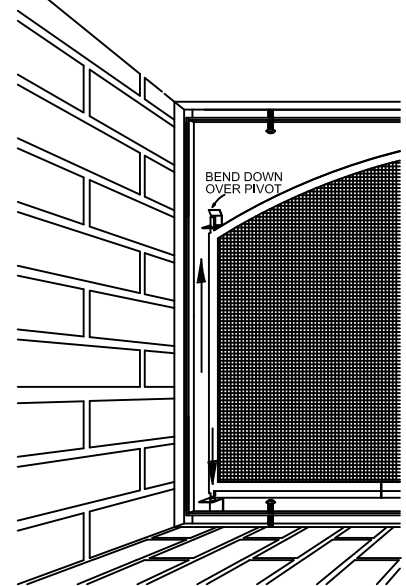


FIG. #9

CURTAIN INSTALLATION

9. INSERT THE RIGHT CURTAIN ROD INTO THE LEFT ROD HOLDER ON THE CENTER BRACKET (AS VIEWED FROM THE FRONT OF THE FIREPLACE DOOR).
10. STARTING WITH THE WIRE HANDLE, THREAD THE CURTAIN RINGS ONTO THE ROD. LEAVE THE LAST RING OFF.
11. INSERT THE ROD END THROUGH THE END HOLDER, THEN HANG THE FIRST RING ON THE ROD.
12. SLIDE ROD UNTIL IT CONTACTS THE SIDE OF THE FIREBOX.
13. TIGHTEN THE END HOLDER RETAINER SCREW UNTIL THE ROD WONT SLIDE BACK AND FORTH.
14. REPEAT THIS PROCEDURE FOR THE OTHER SIDE.

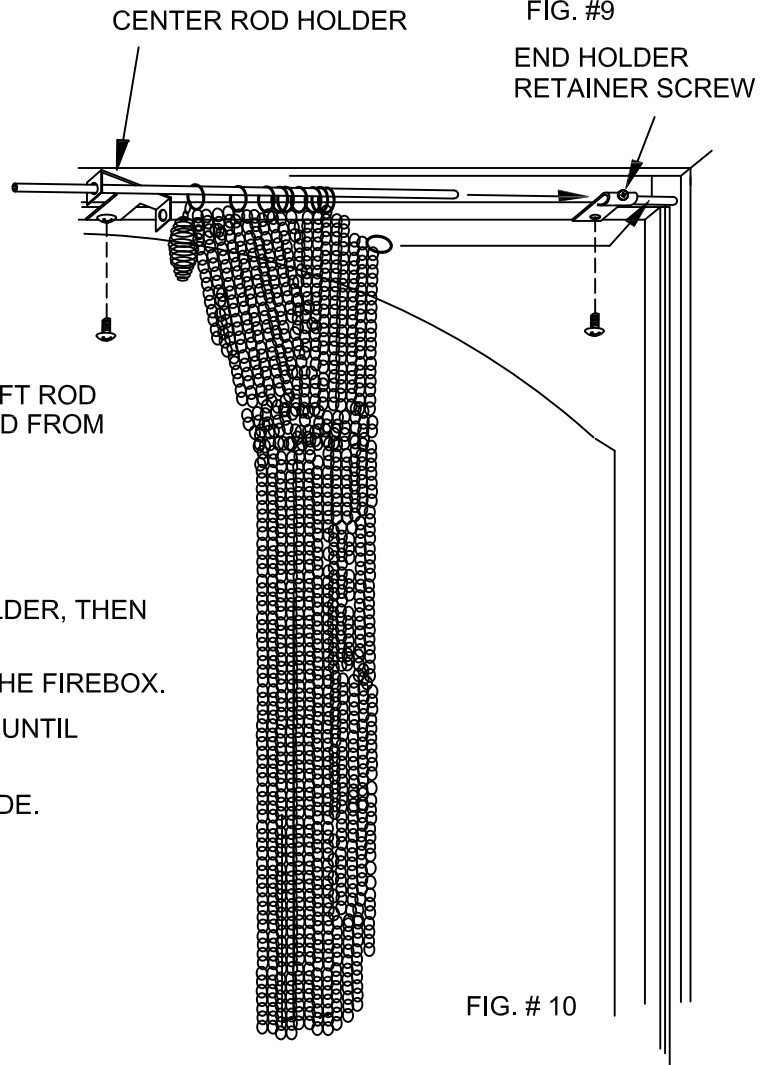


FIG. # 10