



# LAVA BURNER SERIES

Featuring GlowFire™ Log Technology



Grand Canyon Gas Logs is proud to introduce the GlowFire™ log technology, which is part of the Lava vented burner series. The FIRST gas log system to successfully integrate the burner tubes inside the logs. This one-of-a-kind masterpiece gives the look and the feel of the log on fire, because it is! Each log is individually orificed and ported allowing the fuel to flow out of the log presenting the most realistic gas log set on the market. The revolutionary technology presents ultra-realistic style and design to the traditional gas log set. GlowFire™ log technology also allows for increased efficiency by using less BTU's and creating a fuller more robust flame effect. The ceramic refractory logs radiate more heat out into the room compared to a traditional concrete gas log set. Available in 4 convenient sizes, gas specific construction, and available with either on/off or variable flame electronic controls. The Lava burner series and GlowFire™ log technology has created a platform for endless log styles and future configuration development.

- Install into any fireplace that is approved for burning wood
- Revolutionary GlowFire™ Log technology
- Concealed valve and control system
- Gas Specific, non-field convertible
- 6v On/Off or Modulating Electronic Ignition System
- Low BTU's with fuller more robust flame
- Available in 18", 24", 30" and 36"

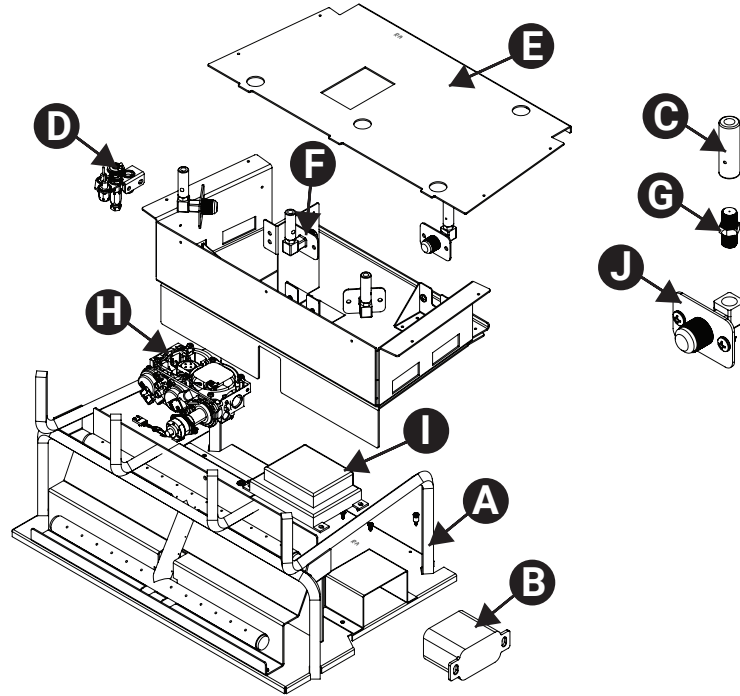


Shown: 24" Burner with Weathered Oak Charred Log Set



GrandCanyonGasLogs.com

# GLOWFIRE™ LOG TECHNOLOGY - LAVA BURNER SERIES



- A) Grate Assembly
- B) Receiver Battery Box
- C) Inlet Tube
- D) Pilot Assembly
- E) Decking
- F) Pilot Bracket
- G) Orifice
- H) Valve
- I) Control Module
- J) Bulk Head

\*Burner includes: lava rock, black embers, remote control, batteries, damper clamp, connector fittings, instructional manual and rating plate.

Model #s	Burners
LAFV-18-EN	18" Lava Front View Natural Gas Electronic Ignition Burner
LAFV-18-EP	18" Lava Front View Propane Electronic Ignition Burner
LAFV-18-VEN	18" Lava Front View Natural Gas Variable Electronic Ignition Burner
LAFV-18-VEP	18" Lava Front View Propane Variable Electronic Ignition Burner
LAFV-24-EN	24" Lava Front View Natural Gas Electronic Ignition Burner
LAFV-24-EP	24" Lava Front View Propane Electronic Ignition Burner
LAFV-24-VEN	24" Lava Front View Natural Gas Variable Electronic Ignition Burner
LAFV-24-VEP	24" Lava Front View Propane Variable Electronic Ignition Burner
LAFV-30-EN	30" Lava Front View Natural Gas Electronic Ignition Burner
LAFV-30-EP	30" Lava Front View Propane Electronic Ignition Burner
LAFV-30-VEN	30" Lava Front View Natural Gas Variable Electronic Ignition Burner
LAFV-30-VEP	30" Lava Front View Propane Variable Electronic Ignition Burner
LAFV-36-EN	36" Lava Front View Natural Gas Electronic Ignition Burner
LAFV-36-EP	36" Lava Front View Propane Electronic Ignition Burner
LAFV-36-VEN	36" Lava Front View Natural Gas Variable Electronic Ignition Burner
LAFV-36-VEP	36" Lava Front View Propane Variable Electronic Ignition Burner

Model #s	Log Sets
GFWOC18	18" GlowFire™ Arizona Weathered Oak Charred Logs
GFWOC24	24" GlowFire™ Arizona Weathered Oak Charred Logs
GFWOC30	30" GlowFire™ Arizona Weathered Oak Charred Logs
GFWOC36	36" GlowFire™ Arizona Weathered Oak Charred Logs

MINIMUM FIREPLACE DIMENSIONS				
Model	Front Width	Back Width	Depth	Height
18"	28"	18"	18"	22"
24"	34"	24"	18"	22"
30"	40"	30"	18"	26"
36"	46"	36"	18"	26"

Vented BTU Rating Targets				
	NG - HIGH	NG - LOW	LP - HIGH	LP - LOW
18"	40K	25K	40K	18K
24"	55K	35K	55K	30K
30"	75K	45K	75K	40K
36"	85K	55K	85K	48K



3515 E. Atlanta Ave. Phoenix, AZ 85040 • (602) 344-4217  
 customerservice@GrandCanyonGasLogs.com