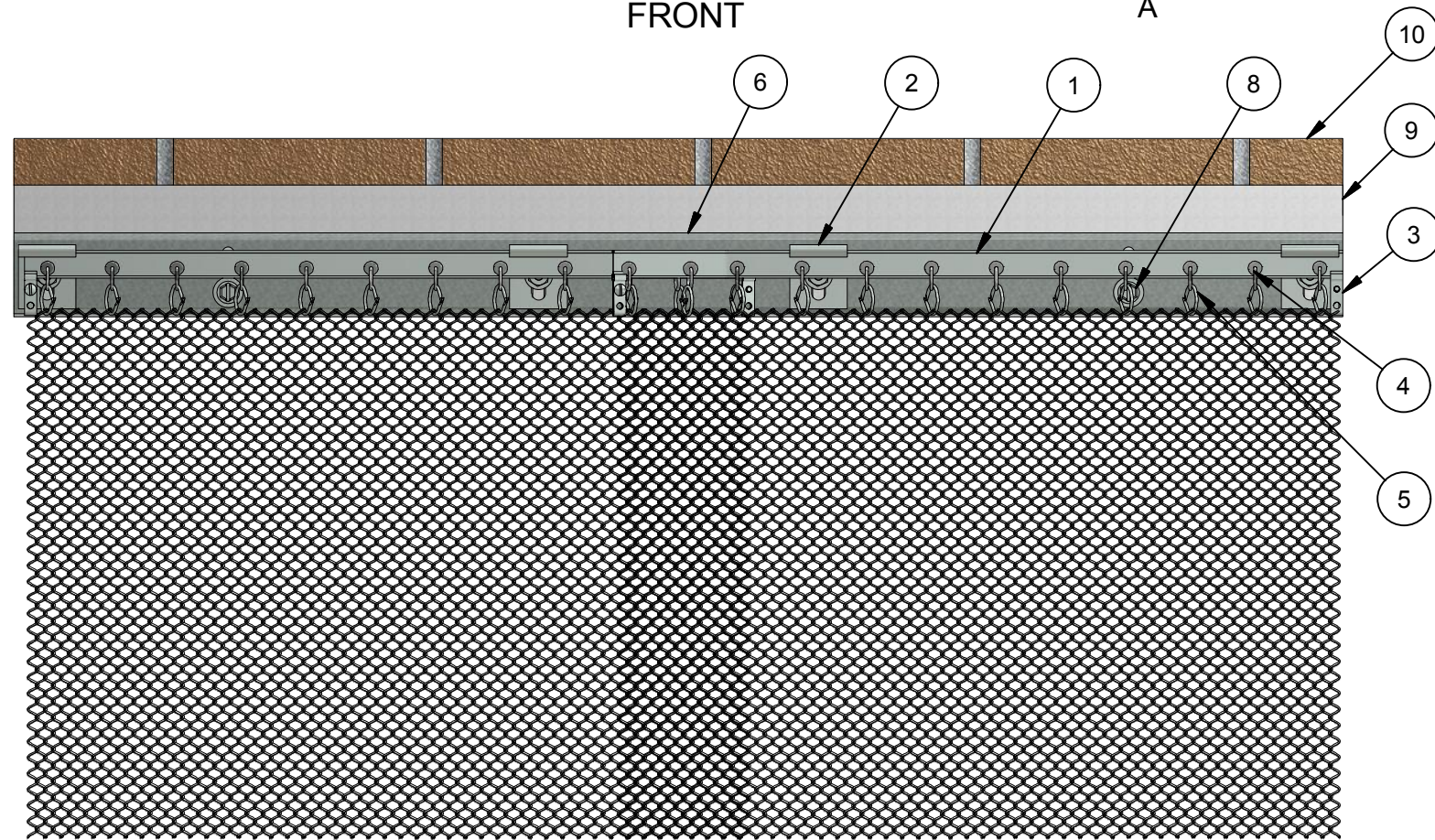
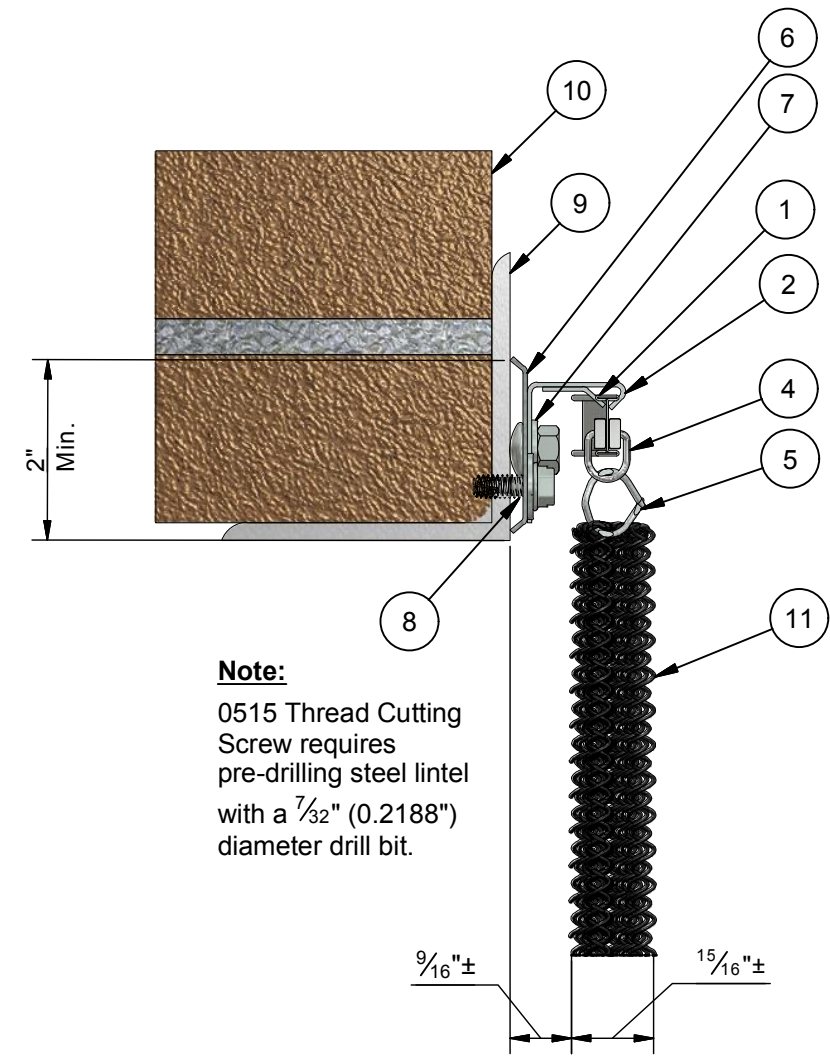


FRONT



BACK



Note:
0515 Thread Cutting
Screw requires
pre-drilling steel lintel
with a 7/32" (0.2188")
diameter drill bit.

SECTION A-A

ITEM	QTY	PART NUMBER	DESCRIPTION
1	2	6000	Track, I-Beam, Steel
2	4	6090	Bracket, Hanger, Mtg. Steel, Zinc Plated
3	4	6121	End Stop, Zinc Plated
4	Varies	6012-NR	Carrier, Light I-Beam, w/o Ring
5	Varies	0578	Hog Ring, Steel, 1/4"
6	1	10xx	Backplate, xx"
7	4	0506-12 / 0560 / 0551	Bolt, Carriage, 1/4-20 x 1/2", Hex Nut / 1/4-20, Zinc / Washer, Flat, 5/16" ID, Zinc
8	2	0515 / 0551	Screw, Hex, Washer Head, TC 1/4" x 1/2" / Washer, Flat, 5/16" ID, Zinc
9	1	N/A	Lintel, Steel, By Others
10	N/A	N/A	Brick, By Others
11	1	Varies	Mesh, Firescreen, Varies
12	2	1925-xx	Baton, 7", w/ Knob, Varies



CASCADE COIL
FIRESCREENS

To Order: Contact Fireplace Treatments
Email: greg@fireplacetreatments.com
Website: www.fireplacetreatments.com
Phone: 1-949-988-8378

DRAWN BY: TCV	DATE: 12/21/2014	PROJECT: Firescreen Products
DESIGNED BY: JCH	DATE: 12/21/2014	TITLE: Custom Recessed Fireplace Screen with I-Beam Option Hidden Mounting
CHECKED BY: JCH	DATE: 12/21/2014	DRAWING NUMBER: DM-0865
APPROVED BY: TCV	DATE: 12/21/2014	REVISION: A
DRAWING UNITS: As Shown	SCALE: AS SHOWN	SHEET: 1 OF 1

THIS DRAWING AND ALL INFORMATION IS CONFIDENTIAL AND IS THE PROPERTY OF CASCADE COIL DRAPERY INC. AND MAY NOT BE COPIED IN ANY WAY DETRIMENTAL TO THE INTERESTS OF CASCADE COIL DRAPERY INC.