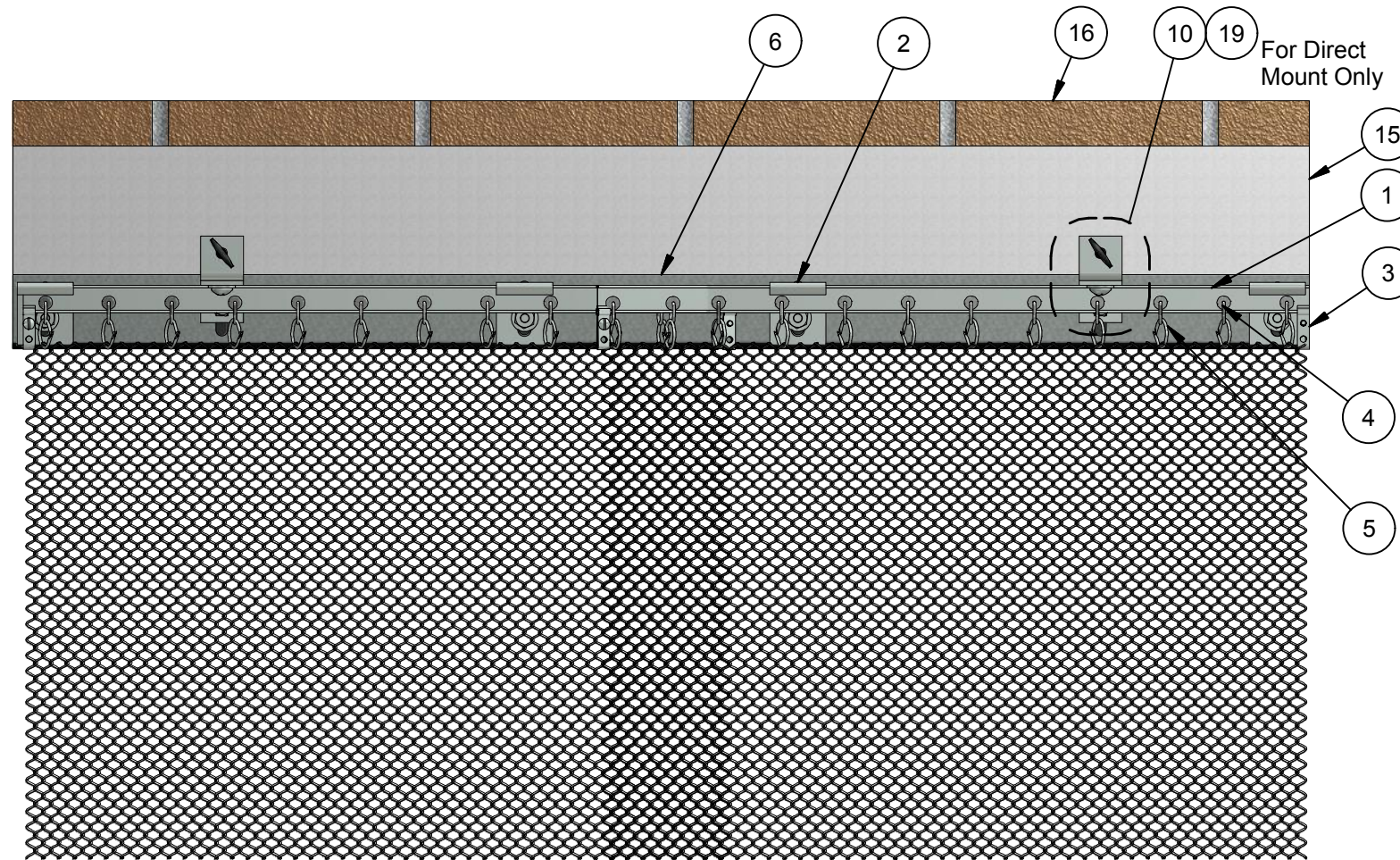
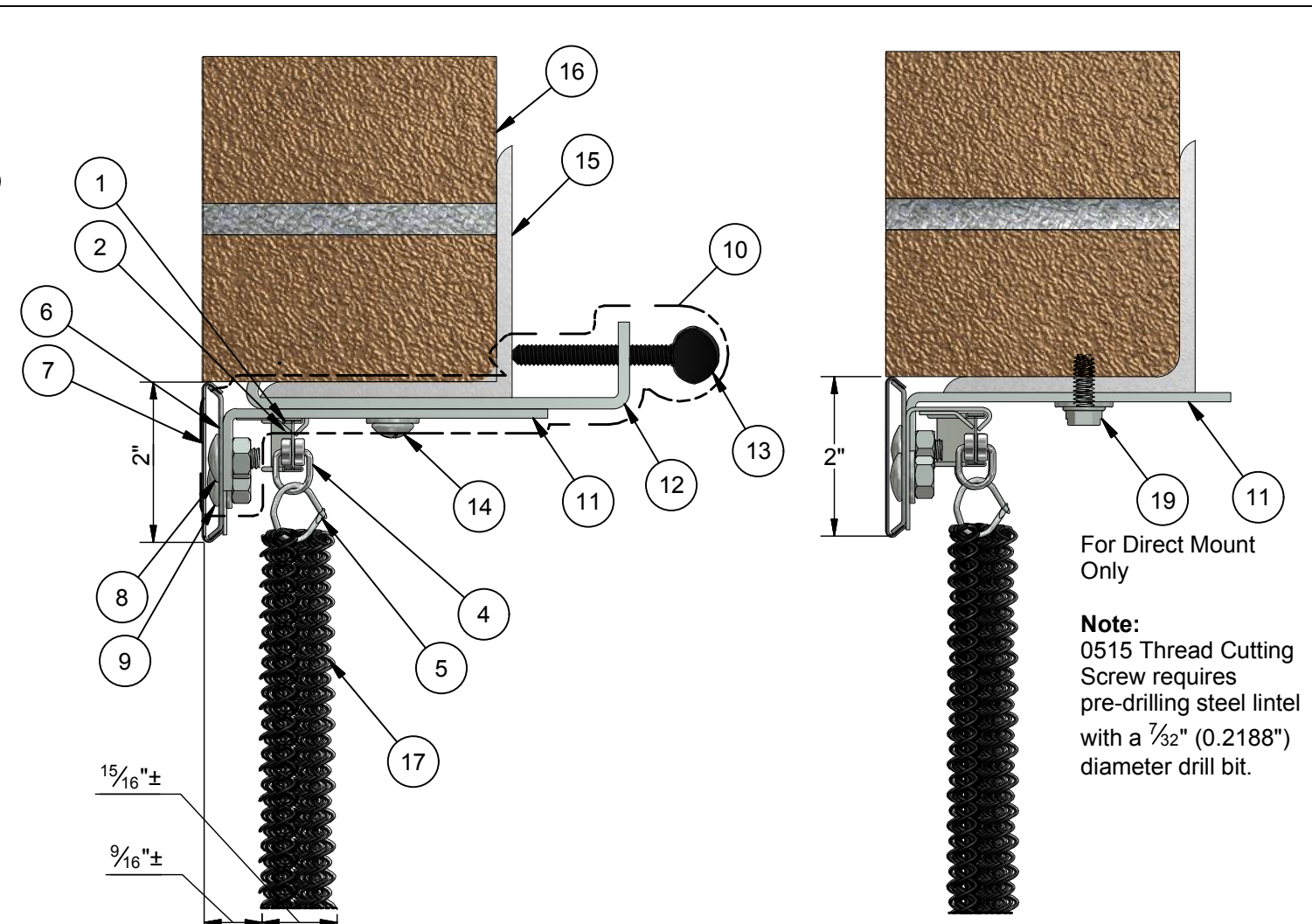


FRONT



BACK



Lintel Bracket Kit SECTION A-A Direct Mount

ITEM	QTY	PART NUMBER	DESCRIPTION
1	2	6000	Track, I-Beam, Steel
2	4	6090	Bracket, Hanger, Mtg. Steel, Zinc Plated
3	4	6121	End Stop, Zinc Plated
4	Varies	6012-NR	Carrier, Light I-Beam, w/o Ring
5	Varies	0578	Hog Ring, Steel, 1/4"
6	1	10xx	Backplate, xx"
7	1	09xx-xx	Faceplate, Varies, xx"
8	4	0506-12 / 0560 / 0551	Bolt, Carriage, 1/4-20 x 1/2", Hex Nut / 1/4-20, Zinc / Washer, Flat, 5/16" ID, Zinc
9	2	0506 / 0560	Bolt, Carriage, 1/4-20 x 3/8" / Hex Nut, 1/4-20, Zinc
10	1	1301	Lintel Bracket Kit, Std., 4" - Pair
11	2	1303	Lintel Bracket, Std., 4", Zinc Plated
12	2	1305	Lintel Clamp, Std., 4", Zinc Plated
13	2	0501	Thumb Screw, Cone Point
14	2	0502 and 0550	Screw, Pan Head, 1/4-20 x 5/16" and Washer, Flat, 1/4" SAE, 9/32" ID x 5/8" OD x 1/16" Thick
15	1	N/A	Lintel, Steel, By Others
16	N/A	N/A	Brick, By Others
17	1	Varies	Mesh, Firescreen, Varies
18	2	19xx-xx	Knob, Wand, Steel, Varies
19	2	0515 / 0551	Screw, Hex, Washer Head, TC 1/4" x 1/2" / Washer, Flat, 5/16" ID, Zinc



To Order: Contact Fireplace Treatments
 Email: greg@fireplacetreatments.com
 Website: www.fireplacetreatments.com
 Phone: 1-949-988-8378

THIS DRAWING AND ALL INFORMATION IS CONFIDENTIAL AND IS THE PROPERTY OF CASCADE COIL DRAPERY INC. AND MAY NOT BE COPIED IN ANY WAY DETRIMENTAL TO THE INTERESTS OF CASCADE COIL DRAPERY INC.

DRAWN BY: TCV	DATE: 12/21/2014	PROJECT: Firescreen Products
DESIGNED BY: JCH	DATE: 12/21/2014	TITLE: Custom Recessed Fireplace Screen with I-Beam Option
CHECKED BY: JCH	DATE: 12/21/2014	DRAWING NUMBER: DM-0851
APPROVED BY: TCV	DATE: 12/21/2014	REVISION: A
DRAWING UNITS: As Shown	SCALE: AS SHOWN	SHEET: 1 OF 1