



113 Lewis Lane  
Hamilton MT, 59840  
dealer@ironhaus.com  
1.866.880.0900

# Gallery Install Instructions

## SAVE THESE INSTRUCTIONS

Read all of these instructions before installing or using your Portland Willamette firescreen.

This product is intended only for installation in a masonry fireplace constructed in accordance with the requirements of the Standard for Chimneys, Fireplaces and Vents, NFPA No. 211, or applicable local code requirements.

**WARNING:** This fireplace screen has not been tested with a mantel. Fireplaces with mantels must be constructed under National Fire Protection Association Publication 211, para-graph 73.3.3.

The Portland Willamette firescreen was designed for use in rectangular fireplaces. It is not recommended for use on only one side of a "see-thru" type fireplace (a fireplace with openings on opposite sides in two different rooms), as the resulting unequal draft conditions which occur may direct flames and heat directly against the firescreen. This direct heat and the flames may be sufficient to scorch your firescreen's finish and darken, or even break, the glass panels. If firescreens are used on both openings, it may be possible to equalize the drafts by adjusting the damper setting on each firescreen. The firescreen or glass is not warranted against damage when used on only one side of a "see-thru" fireplace.

**IMPORTANT:** Hydrochloric (muriatic) acid is often used by builders to clean excess mortar from new fireplaces. The fumes from this acid are highly corrosive and will damage the finish of your fireplace equipment unless neutralized. This corrosive action can last for many years if not neutralized. To neutralize, wash masonry with ammonia water and rinse thoroughly with clean water. Any acidic or caustic material used around your fireplace can damage the finish of your firescreen. This includes some mortars or sealants that may be used to install and seal firescreens and some paints used on fireplace faces. Portland Willamette assumes no responsibility for these damages.

## Firescreen Installation.

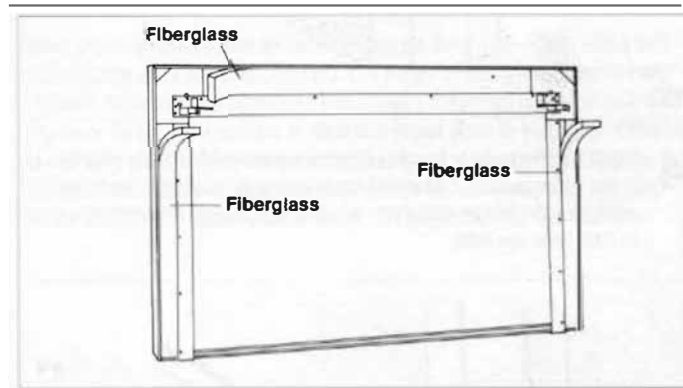
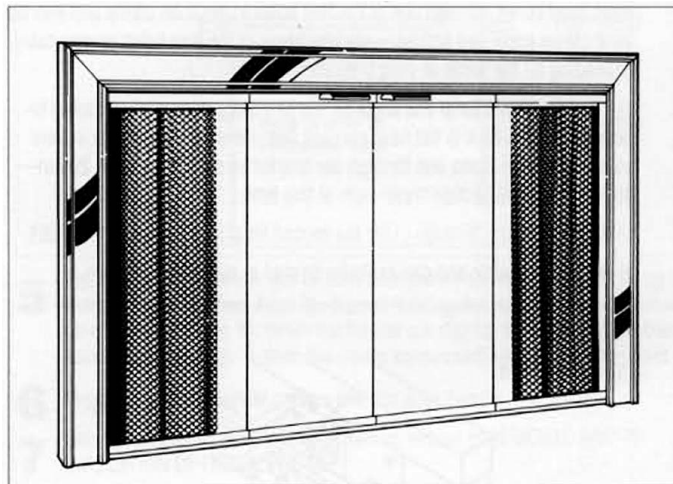
Tools required for easiest installation:

Blade screwdriver	Gloves
Pliers	Scissors
3/16" wrench	3/8" wrench

A 5/16" masonry drill, drill motor and hammer may be required for your installation—see instructions, steps #7 and #8;

**1** Carefully stand the firescreen up with its front against a wall—use a soft,

clean cloth between the firescreen and the wall to protect both from damage.



**2** Fig. A: Measure and cut, using scissors, the strip of included fiberglass insulation into three pieces to fit into both of the side bars and into the top bar of the firescreen, as shown. NOTE: Avoid contacting the fiberglass with your bare skin as it may cause some irritation—always wear gloves when handling fiberglass.

**WARNING:** Fiberglass insulation must be installed to not only seal the firescreen to the fireplace face but to also protect the firescreen finish from heat damage. Fiberglass insulation must be installed before mounting screen.

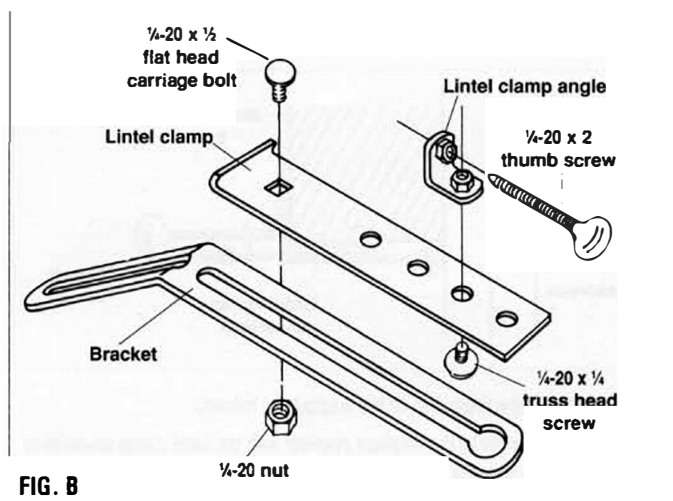


FIG. B

**3** Fig. B: Assemble the two lintel clamps as follows:

- Install a 1/4-20 x 2 thumb screw into each of the lintel clamp angles shown.
- When assembled, the lintel clamp and angle assembly must be able to securely grip the lintel bar inside your fireplace, as shown in Fig. E. Assemble a lintel clamp and a lintel clamp angle together—insert a 1/4-20 x 1/4

truss head screw through one of the four holes in the lintel clamp and into the lintel clamp angle and tighten—use whichever of the four holes as necessary, depending on the width of your fireplace's lintel bar.

c) Place the lintel clamp and angle on top of a bracket, as shown. Fasten together with a 1/4-20 x 1/2 flat head carriage bolt, inserted through the square hole in the lintel clamp and through the bracket as shown, and a 1/4-20 nut—do not tighten more than finger-tight at this time.

d) Repeat steps b) through c) for the second lintel clamp assembly.

e) Bracket is flexible and can easily be formed to suit the installation.

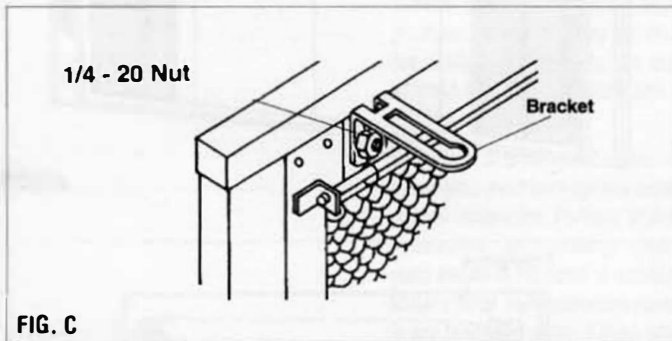


FIG. C

**4** Fig C: Attach the two complete lintel clamp assemblies (from step 3) to the upper mounting stud with the 1/4-20 nut. Do not tighten at this point. Bracket can be bent down or up to fit individual mounting situation to clear fireplace lintel.

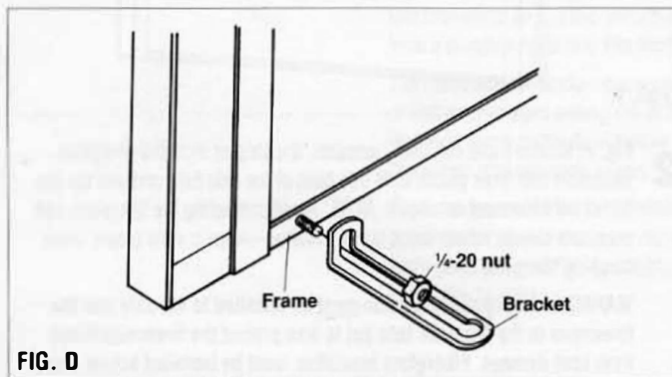


FIG. D

**5** Fig. D: Attach the two remaining brackets to the fireproofing at the bottom, on each side, with 1/4-20 nut onto the stud in the fireproofing frame, as shown.

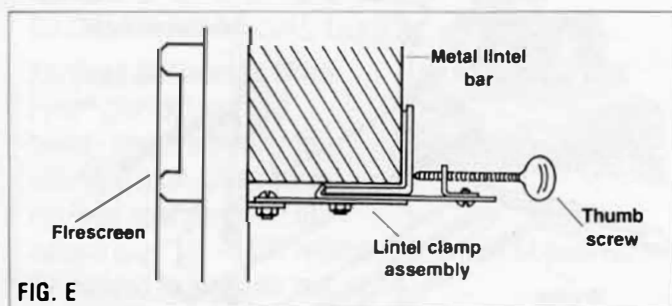


FIG. E

**6** Fig. E: Attach the fireproofing to the fireplace as follows:

a) Fit the fireproofing to the fireplace opening with the lintel clamp assemblies and brackets inside the fireplace (these may have to be adjusted in order to clear the fireplace opening). Bend bracket to fit.

b) Position the two upper lintel clamps and tighten the thumb screws to securely grip the metal lintel bar inside your fireplace as shown. Ensure that the fireproofing is flush against the face of the fireplace and tighten all upper screws and nuts.

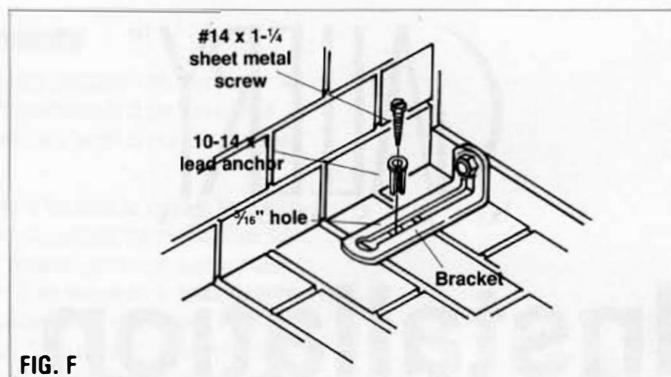


FIG. F

**7** Fig. F: The bottom of the fireproofing should rest on the hearth outside the fireplace. If the hearth does not extend out far enough to support the bottom of the fireproofing you will need to secure the bottom of the fireproofing. This is done by attaching the lower brackets to the floor (shown) or sides of the fireplace—follow the instructions below. Otherwise, adjust the lower brackets as needed until they rest on the floor of the fireplace and leave unattached.

**8** Fig. F: Secure the bottom of the fireproofing as follows:

a) Drill two holes, using a 5/16" masonry drill, about 2" deep into the floor or sides of the fireplace—determine suitable locations for each hole by using the two lower brackets (from step 5), attached to the fireproofing (one hole required per bracket). Mark the hole locations and move the brackets out of the way before drilling the holes.

b) Next, gently tap a 10-14 x 1 lead anchor into each of the two holes you have drilled (one anchor in each hole) using a hammer.

c) Move the brackets back into position over the holes and insert a #14 x 1-1/4 screw into each hole to secure the brackets.

d) Make certain sides of fireproofing are parallel and that the frame is not slightly twisted when mounted. If sides are not parallel, doors will not align properly when closed. If either door pulls away from the top or bottom of the frame and does not line up with the other door, adjust frame by loosening bottom mounts and slightly pulling out on frame at the bottom left or bottom right until doors line up with each other and the frame. Retighten bottom mounts.

**NOTE:** For fireplaces other than standard configurations or constructions, consult your dealer for information concerning alternative mounting methods.

**9** Some of the fiberglass may have squeezed out from behind the fireproofing during installation. Use a thin object, such as a letter opener or knife, to carefully push the fiberglass back behind the fireproofing for a neat appearance. Be careful not to scratch or damage the finish on your fireproofing.

## Damper Operation.

Your fireproofing is equipped with lower hidden damper operator located at the bottom center of the fireproofing, behind the door. The damper can be opened or closed by moving the damper operator - **right to open or left to close**.

With your Portland Willamette fireproofing in place, you need not close your fireplace's flue damper as you can simply close the damper on the fireproofing, effectively sealing off the fireplace from the rest of your home. This is not only more convenient, but allows you to let a fire burn out without letting the heat in your home escape up the chimney. Using your fireproofing's damper, in conjunction with your flue damper, you can usually achieve optimum burning and draft conditions for your fireplace to maximize burning efficiency and heat output while reducing or eliminating any smoking problems. Experiment with different flue and fireproofing damper settings until you find the combination which works best with your fireplace.