



113 Lewis Lane  
Hamilton MT, 59840  
dealer@ironhaus.com  
1.866.880.0900

# Revelation, Ovation, & Grand Forge Install Instructions

## SAVE THESE INSTRUCTIONS

Read all of these instructions before installing or using your Portland Willamette firescreen.

This product is intended only for installation in a masonry fireplace constructed in accordance with the requirements of the Standard for Chimneys, Fireplaces and Vents, NFPA No. 211, or applicable local code requirements.

**WARNING:** This fireplace screen has not been tested with a mantel. Fireplaces with mantels must be constructed under National Fire Protection Association Publication 211, paragraph 73.3.3.

The Portland Willamette firescreen was designed for use in single-sided fireplaces. It is not recommended for use on only one side of a "see-thru" type fireplace (a fireplace with openings on opposite sides in two different rooms), as the resulting unequal draft conditions which occur may direct flames and heat directly against the firescreen. This direct heat and the flames may be sufficient to scorch your firescreen's finish and darken, or even break, the glass panels. If firescreens are used on both openings, it may be possible to equalize the drafts by adjusting the damper setting on each firescreen. The firescreen or glass is not warranted against damage when used on only one side of a "see-thru" fireplace.

**IMPORTANT:** Hydrochloric (muriatic) acid is often used by builders to clean excess mortar from new fireplaces. The fumes from this acid are highly corrosive and will damage the finish of your fireplace equipment unless neutralized. This corrosive action can last for many years if not neutralized. To neutralize, wash masonry with ammonia water and rinse thoroughly with clean water. Any acidic or caustic material used around your fireplace can damage the finish of your firescreen. This includes some mortars or sealants that may be used to install and seal firescreens and some paints used on fireplace faces. Portland Willamette assumes no responsibility for these damages.

## Firescreen Installation.

Tools required for easiest installation:

- |                      |                 |
|----------------------|-----------------|
| Blade screwdriver    | Gloves          |
| Phillips screwdriver | Scissors        |
| Pliers               | 3/8" wrench     |
| 7/16" wrench         | 3/8" nut driver |

A 3/16" masonry drill, drill motor and hammer may be required for your installation—see instructions.

### 1 HARDWARE MOUNTING INSTRUCTIONS — TOP OF SCREEN

Ensure that hardware installation does not interfere with mesh curtain or gate screen operation. When lintel brackets are used, bend to fit the installation if required. Do not warp the insulating flange as damage to the screen may occur. See following section on Screen installation and Adjustment.

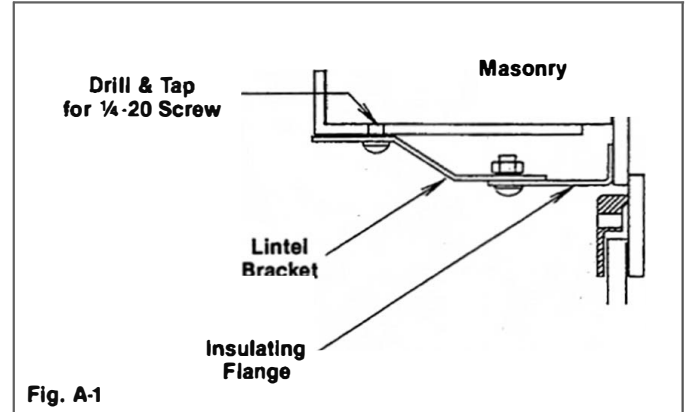


Fig. A-1

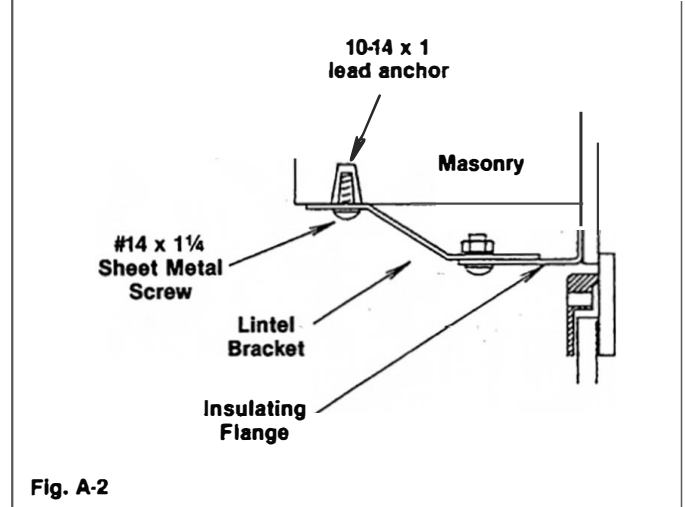


Fig. A-2

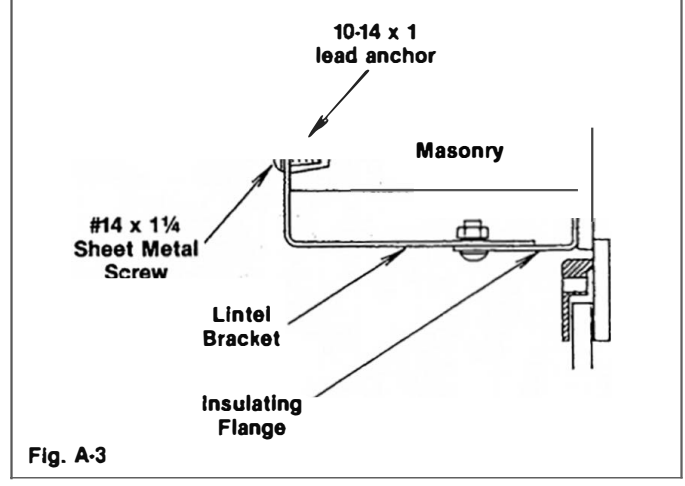
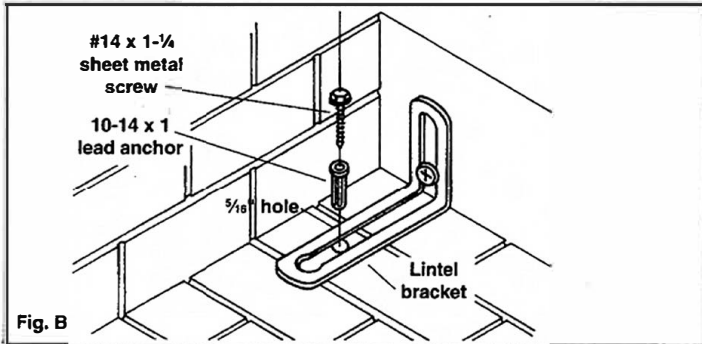


Fig. A-3

## 2 HARDWARE MOUNTING INSTRUCTIONS — BOTTOM OF SCREEN

After the firescreen is fastened at the top, secure the bottom per the following instructions. Refer also to following Screen installation & Adjustment.

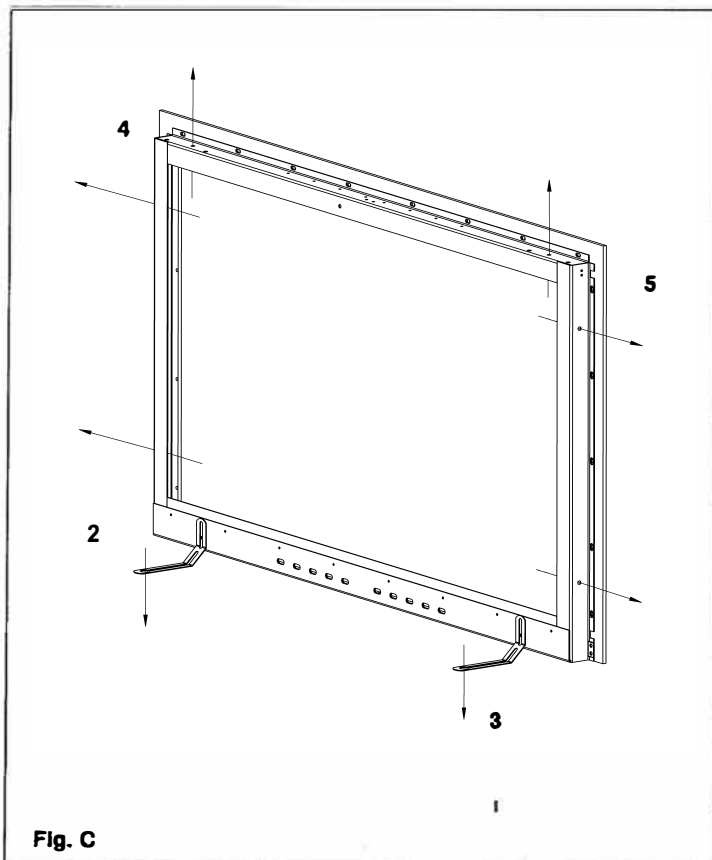
Attach the two remaining (unassembled) lintel brackets to the firescreen at the bottom, on each side, using the two tapped holes provided in the firescreen frame and two 1/4-20 x 1/4 truss head screws, as shown in Fig. B.



Secure the bottom of the firescreen as follows:

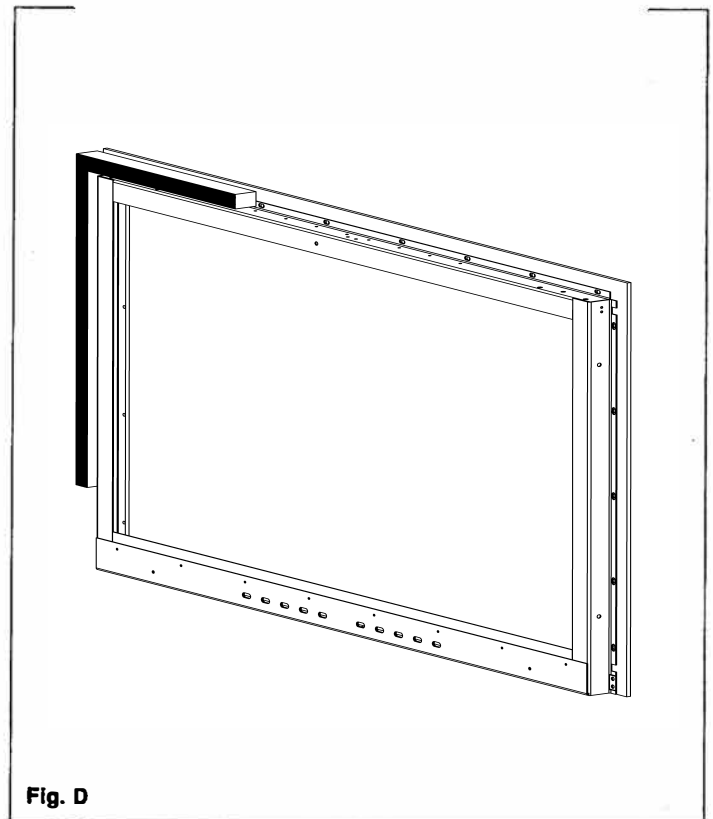
- Drill two holes, using a 5/16" masonry drill, about 2" deep into floor on each side of the fireplace. Determine suitable locations for each hole by using the two lower lintel brackets attached to the firescreen (one hole required per bracket). Mark the hole locations and move the lintel brackets out of the way before drilling the holes.
- Next gently tap a 10-14 x 1 lead anchor into each of the two holes you have drilled (one anchor in each hole) using a hammer.
- Move the lintel brackets back into position over the holes and insert a #14 x 1 1/4 screw into each hole to secure the lintel brackets.

**NOTE:** For fireplaces other than standard configurations or constructions, consult your dealer for information concern alternative mounting methods.



## 3 SCREEN INSTALLATION AND ADJUSTMENT

- Arched Screens:** Install first anchor and screw at top center of screen (Position 1) (Fig. C). Tighten screw only to point of holding screen in place. Attach brackets to bottom of screen at locations 2 and 3 and place anchors in position. Start screws, but do not tighten.
- Rectangular Screens:** Install first anchors at upper right and upper left corners of screen though holes provided in insulation flange. Mounting holes will be in same relative position as locations 4 and 5 of Figure C. Tighten screws only to point of holding screen in place. Attach brackets to bottom of screen in locations 2 and 3 of Figure C and place anchors in position. Start screws, do not tighten.
- Ensure sides of screen face are parallel. If they are not parallel, the doors will not close properly. Make sure there are no obstructions pressing against the back of the sides or the insulating flange. Such obstructions would push the sides out of parallel, or warp them when the screen is secured at the bottom.
- Tighten screw at location 1 of arched screens (or locations 4 and 5 of rectangular screen) to the point of *slightly* raising the insulating flange. This adjustment will draw the doors toward the frame at the top of the screen.  
**NOTE:** If either door pulls out from the top of the screen and does not line up with the other, adjust by pulling out the frame very slightly at the bottom left or bottom right of screen until doors line up.
- Tighten screws at location 2 and 3. Recheck to ensure proper door fit and alignment.
- On arched screens with stationary outer glass panels, additional screws may be installed through the insulating flange close to the hinge points. These screws will assist in providing firm support at the pivot points. **DO NOT** tighten screws to the point of compressing the insulating flange as this may result in misalignment as covered in point C above.



## 4 FIBERGLASS INSTALLATION

Fig. D: Measure and cut, using scissors, the strip of included fiberglass insulation into pieces to fit both the side and top of the firescreen, as shown. **NOTE:** Avoid contacting the fiberglass with your bare skin as it may cause some irritation — always wear gloves when handling fiberglass.